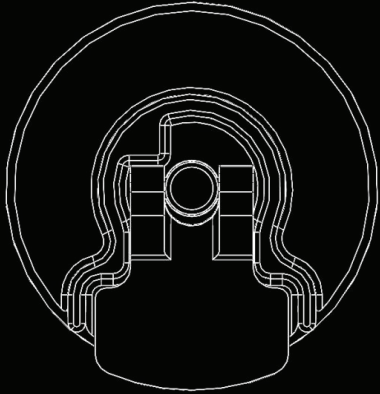


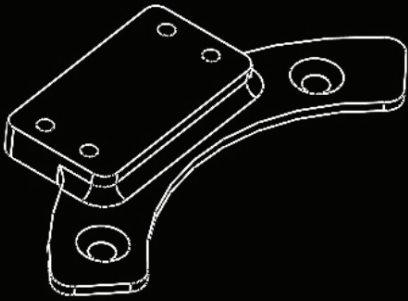
AS350, 355 & EC130

Replacement Fuel Cap

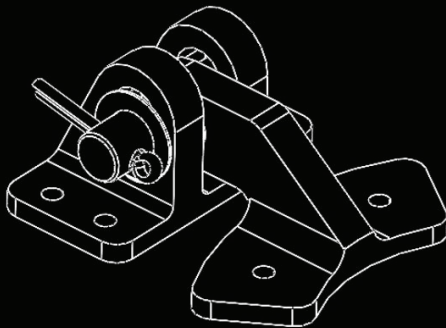
Not compatible with crash resistant fuel systems



Fuel Cap



Fuel Cap Cheek Adapter



Fuel Cap Hinge

- ▶ Fully CNC machined with replaceable seal
- ▶ Key locks the fuel cap
- ▶ Never loose fuel cap again with optional hinge
- ▶ Optional adapter for squirrel cheeks
- ▶ TCCA and FAA approved
- ▶ No ICA required or weight and balance change case



AVIO dg ▶
aerospace engineering

www.avio-dg.com

avio@avio-dg.com | 403-874-6622

Calgary Alberta Canada